

L1/L2GRRKPA-T



L1/L2 GPS Passive Antenna Technical Product Data

Features

- Full Multi-GNSS Compatibility
- Passive RF Design
- AAR Compliant
- IP67 ingress protection



Description

The GNSS-L125-PSTNC is a multi-GNSS high performance antenna designed to meet stringent AAR environmental standards. The antenna features a multi-stacked patch design covering global GNSS frequencies. This antenna is passive and has been designed for applications where the active electronics are collocated with the receiver as well as for reradiating GNSS applications. The antenna has a hermetic seal and has been AAR-approved through rigorous testing.

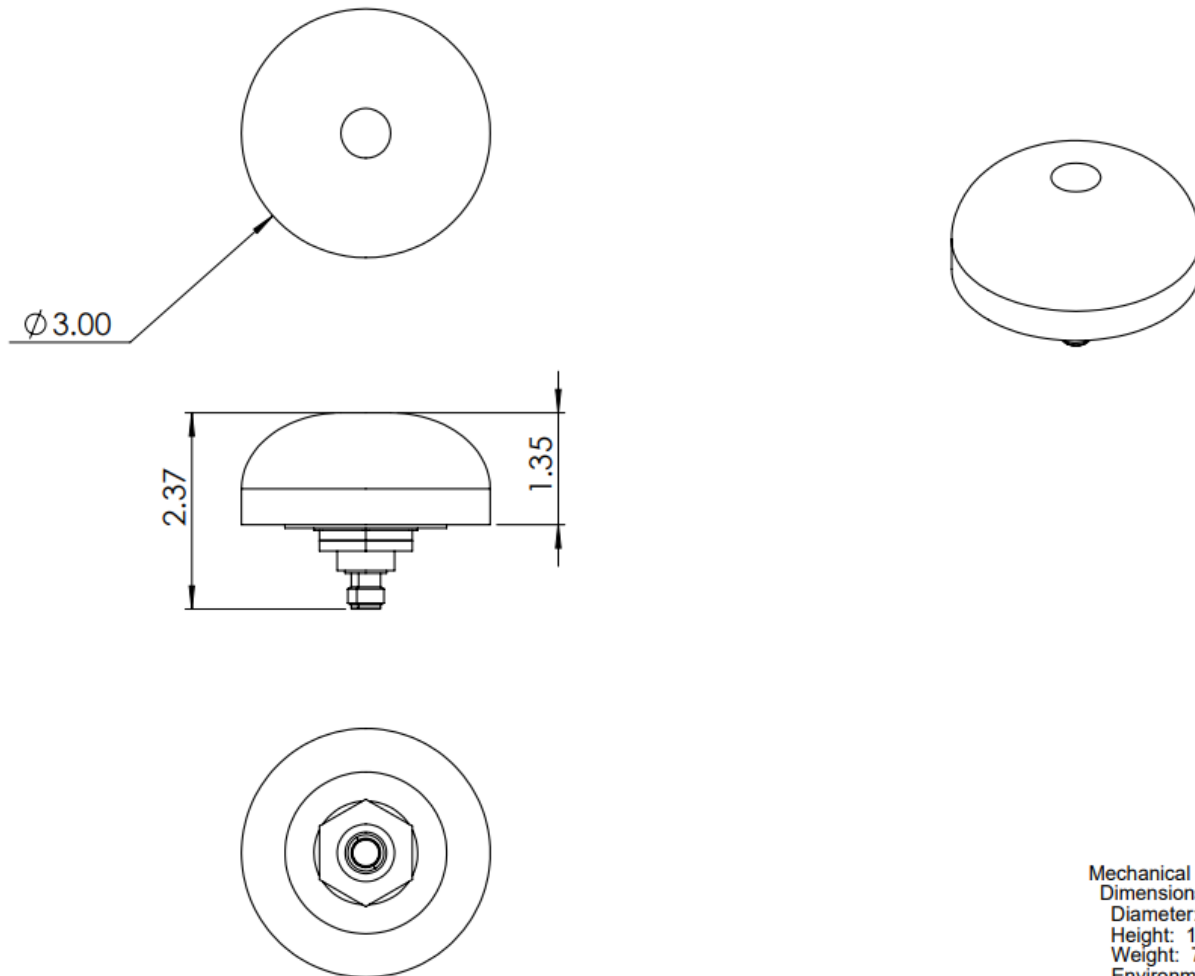
Use Cases

- To re-radiate signal indoors for GPS product testing.
- To maintain GPS signal for emergency vehicles parked indoors.
- To facilitate faster GPS signal acquisition for aircraft inside a hangar.
- In combination with one of our splitter devices to create a GPS distribution network.

Re-Radiating Antenna Electrical Specifications, TA=25°C

Parameter	Notes	Min	Typ	Max	Unit
Frequency	Re-Radiates all major GNSS frequencies.	1500 1150		1615 1290	MHz
Axial Ratio	Ratio between the major and minor axes of the polarization ellipse.			2.5	dB
Peak Gain	The Increase in signal power relative to an isotropic antenna source.	3			dBic
GPS L1 Bandwidth	Passband centered at GPS L1 frequency.		115		MHz
GPS L2/L5 Bandwidth	Passband centered at GPS L2/L5 frequency.		140		MHz
Input SWR	Input Standing Wave Ratio: S11 over the passband.		2.0:1		-
Characteristic Impedance	Input port matched to 50Ω.		50		Ω
Polarization					
Right Hand Circular Polarization					
Connector Options	Connector Style	Charge			
	Type TNC-female	No Charge			

Mechanical



Mechanical
 Dimensions:
 Diameter: 3.0"
 Height: 1.4"
 Weight: 7.4oz (210g) MAX
 Environmental Rating: AAR
 Compliant
 IP Rating: IP 67

Female TNC connector required, use adapter for mating



L1/L2GRRKPA-T

Multi GNSS Passive High Performance Antenna

Tolerances:
 X ± 0.030
 XX ± 0.015
 XXX ± 0.005
 Angle ± 1°

1-8-2021

NW

Scale: 1:2

Rev: 1

Sheet 1 of 1

Units are inches and degrees

Contact us at salestech@gpsnetworking.com for 3D models or CAD drawings.