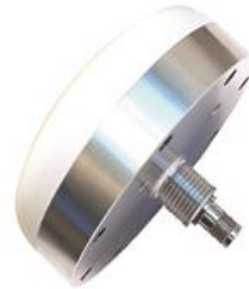


L1/L2GPSA-T

L1/L2 GPS Active Antenna Technical Product Data

Features

- High Gain Amplified Roof Antenna
 - Provides 40 dB gain via internal LNA.
- Advanced Out-of-Band Filtering
- AAR Compliant
- Excellent Multipath Mitigation
- IP67 ingress protection
- Full GNSS Compatibility



Description

The L1/L2GPSA-T L1/L2 Active GPS/GNSS/Omnistar/TerraStar Antenna is a high gain, multi-GNSS high performance antenna designed to meet stringent AAR environmental standards. The antenna features a multi-stacked patch design covering global GNSS frequencies, a multi-stage LNA and advanced filtering to combat the effects of adjacent band interference. The antenna has a hermetic seal, is AAR tested and approved. This antenna comes with a 5-year warranty.

Use Cases

- PTC Rolling Stock Tracking
- Military Vehicle & Asset Tracking
- Precision Agriculture
- Differential Correction
- GNSS Indoor Re-Radiation
- High Accuracy Time Sync

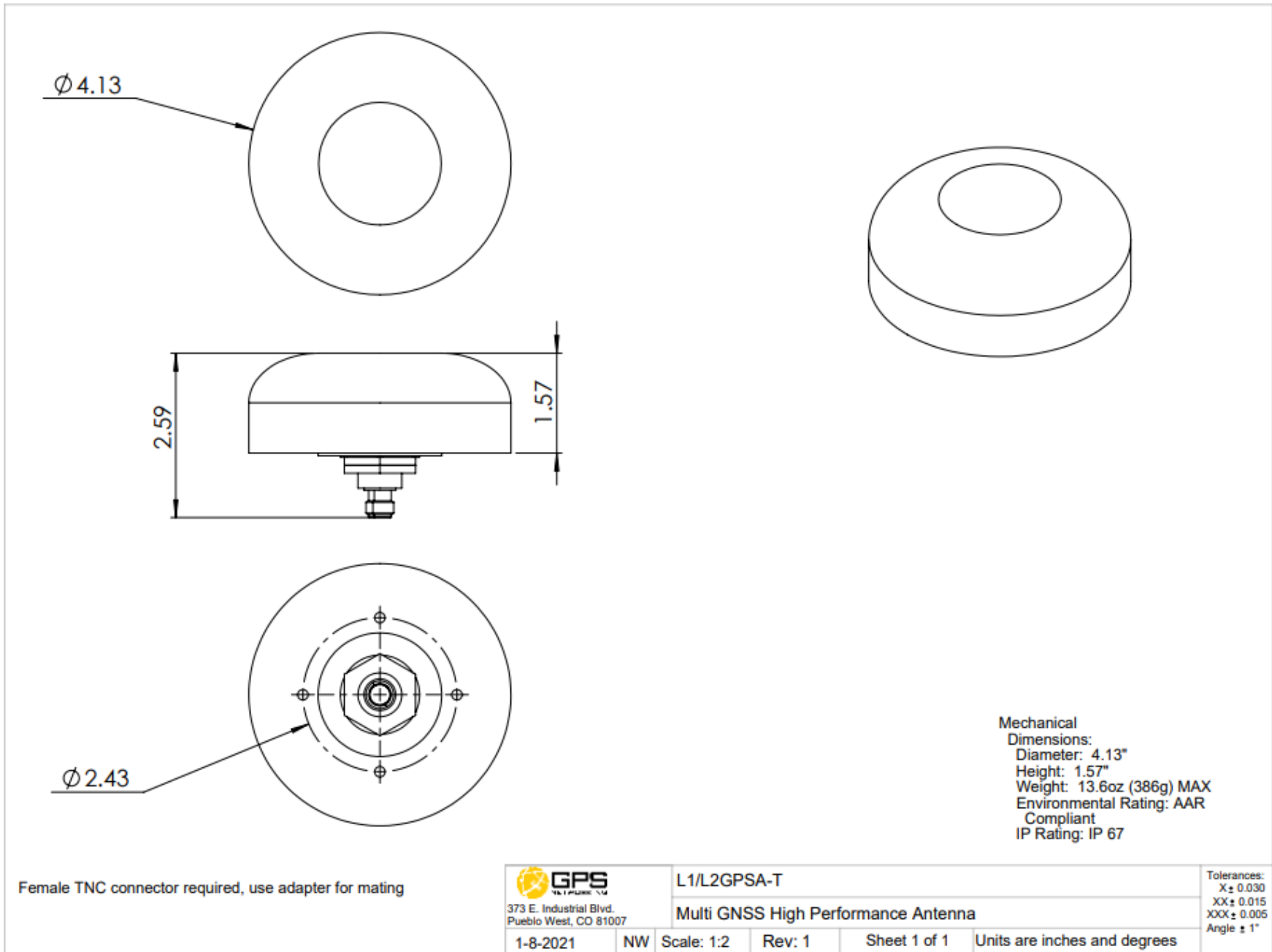
L1/L2GPSA-T



Roof Antenna Electrical Specifications, TA=25°C

Parameter	Notes	Min	Typ	Max	Unit
Frequency	Receives and amplifies all major GNSS constellations.	1500 1150		1615 1290	MHz
Axial Ratio	Ratio between the major and minor axes of the polarization ellipse.			2.5	dB
Gain	The relative increase in signal power provided by the internal LNA.	35	40	45	dB
GPS L1 Bandwidth	Passband centered at GPS L1 frequency.		115		MHz
GPS L2/L5 Bandwidth	Passband covering the GPS L2/L5 frequencies.		140		MHz
Filtering	Out of band rejection +/-50MHz from band-edge	-30	-45	>-80	dB
Noise Figure	The increase in noise power relative to an ideal amplifier.		3.0		dB
Output SWR	Output Standing Wave Ratio: S22 over the passband.		2.0:1		-
Characteristic Impedance	Output port matched to 50Ω.		50		Ω
Req. DC Input V.	Operating Voltage Range.	2.5		12.0	VDC
Current Draw	Typical current consumption.		37	50	mA
Polarization					
Right Hand Circular Polarization					
Connector Options	Connector Style		Charge		
	Type TNC-female		No Charge		

Mechanical



Contact us at salestech@gpsnetworking.com for 3D models or CAD drawings.