

TW5352

Smart GNSS Antenna

Overview

The TW5352 is a multi-constellation GNSS Receiver which provides simultaneous multi-constellation GNSS reception. It is designed for use in professional grade digital tracking/positioning applications.

The TW5352 GNSS Smart Antenna uses a state of the art multi-constellation GNSS receiver which provides 72 high sensitivity tracking channels which can be configured to acquire and track 3 concurrent GNSS constellations (GPS, Galileo, GLONASS and Beidou) plus SBAS (WAAS, EGNOS, MSAS and GAGAN) and QZSS augmentation signals simultaneously. Differential GPS corrections may also be supplied via RTCM formatted corrections messages.

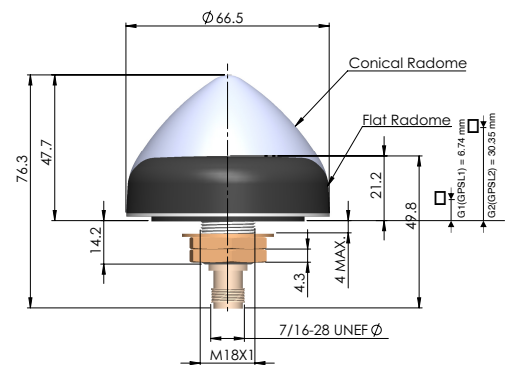
The TW5352 employs Tallysman's Accutenna™ dual feed antenna patch technology which greatly improves rejection of multi-path signal interference, across the whole GNSS band. The addition of pre- and post- filtering within the RF signal chain greatly improves immunity to jamming carriers typical within urban environments.

The TW5352 can be configured to output a variety of NMEA 0183 message lists with navigation update rates up to 5Hz. An RS232 interface is provided for data communication with input voltage range from 5V to 36V suitable for Automotive applications.

Tallysman's Windows™ based Configurator enables simple configuration of parameters such as baud rates, output message rates, constellation, tracking parameters.

Interface

The TW5352 has a 5 meter cable terminated in RJ45 connector. Adaptor cables are available to interface to for a variety of Two-Way radios, PC, etc contact Tallysman for details.



Mechanical Dimensions (mm)

Features

- Multi-Constellation Receiver/Antenna
- Concurrent tracking of 3 constellations
- 72 Channel simultaneous operation
- High performance tracking (-164 dBm)
- WAAS, EGNOS, MSAS & GAGAN + QZSS
- DGPS corrections using RTCM input
- Navigation rates 1 to 5 Hz
- Conditioned ignition input for Tait Radios
- 5V to 36V automotive operation
- Accutenna™ Technology
- Pre- and Post- LNA filtering
- Superior multi-path signal rejection
- Industrial grade IP69K enclosure
- RoHS, Reach, RED compliant, CE Marking

TW5352 Smart GNSS Antenna

Specifications

Antenna

ArchitectureDual Feed
Axial Ratio< 1 dB typical.
FrequenciesGPS/QZSS L1 C/A, GLONASS L10F BeiDou
B1I, Galileo E1B/C
SBASWAAS, EGNOS, MSAS, GAGAN
Channels72-Channel u-blox M8 engine

Interface

Pwr, Gnd
Tx, RXRS232

Mechanical

Dimensions66.5 mm dia. x 21 mm H
Weight135 g
Mounting MethodFixed Mount
Cable Length5 m with RJ45 termination
EnclosureIndustrial weatherproof IP69K

Electrical

Voltages5 V to 36 VDC
Current<500 mW nominal Operating

Environmental

Operating Temperature.....-40°C to +85°C
Storage Temperature.....-45°C to +85°C
WeatherproofIP69K
ShockVertical axis 50G, other axis 30G 3 axis
sweep – 15 min
Vibration10-200 Hz log sweep 3G

Sensitivity

Tracking & Nav-164 dBm 1
Cold starts-148 dBm
Hot starts-157 dBm

Acquisition

Cold start26 sec
Aided 3 sec
Reacquisition1 sec

Accuracy

Position Accuracy2.5m CEP (Horizontal)
Velocity Accuracy0.05 m/s
Heading Accuracy0.3 deg

Operational Limits

Dynamics4 g
Altitude50,000 m
Velocity500 m/s

Serial Protocol

OutputNMEA 0183
InputRTCM
Baud RateConfigurable up to 230400 bps
Update RateConfigurable up to 5Hz

Ordering Information

33-5352-7-yy-05-ccc

yy= Radome (10= Grey low profile, 11= White low profile)

ccc = Custom Configuration (Contact Tallysman for "Custom" details e.g. configuration, radio cable type.)

e.g. PC0= NMEA out, No Adaptor cable TC5= Tait NMEA, 27-0028-0 radio cable

DB9 Configuration Adaptor

27-0124-0

Please refer to the Ordering Guide for the current and complete list of available product options.



When precision matters.®

Contact us:

E: info@tallymatics.com

T: +1 613 591-3131

Tallymatics Inc.
36 Steacie Drive,
Ottawa ON
K2K 2A9 Canada

www.tallymatics.com

© 2023 Tallysman Inc. All rights reserved. Tallysman, the "When Precision Matters" tag line and the Tallysman logo are trademarks or registered trademarks of Tallysman Inc. and/or its affiliates in Canada and certain other countries. All other trademarks mentioned in this document are the property of their respective owners. The information presented is subject to change without notice. Tallysman assumes no responsibility for any errors or omissions in this document. Tallysman Wireless Inc. hereby disclaims any or all warranties and liabilities of any kind.