

HC976E

HC976E Embedded Triple-Band Helical Antenna + L-Band

Frequency Coverage: GNSS/QZSS-L1/L2, QZSS-L6, GLONASS-G1/G2, Galileo-E1/E6, BeiDou-B1/B3
+ L-Band correction services

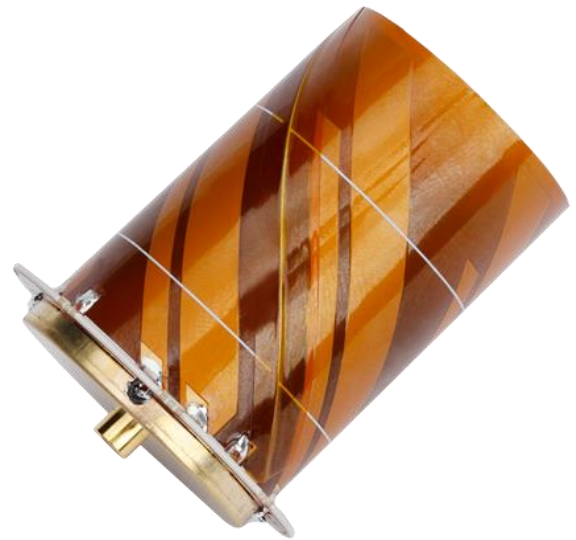
The patented HC976E embedded helical antenna is designed for precision positioning, covering the GPS/QZSS-L1/L2, QZSS-L6, GLONASS-G1/G2, Galileo-E1/E6, and BeiDou-B1/B3 frequency bands, including the satellite-based augmentation system (SBAS) available in the region of operation [WAAS (North America), EGNOS (Europe), MSAS (Japan), or GAGAN (India)], as well as L-Band correction services.

Weighing only 8 g, the light and compact HC976E features a precision-tuned helix element that provides excellent axial ratios and operates without the requirement of a ground plane, making it ideal for a wide variety of applications, including unmanned aerial vehicles (UAVs).

The HC976E features an industry-leading low current, low-noise amplifier (LNA) that includes an integrated low-loss pre-filter to prevent harmonic interference from high-amplitude signals, such as 700 MHz band LTE and other nearby in-Band cellular signals.

Tallysman provides an optional embedded helical mounting ring, which traps the outer edge of the antenna circuit board to the host circuit board or to any flat surface. Tallysman also provides support for installation and integration of embedded helical antennas to enable the integrator to achieve a successful installation and obtain optimum antenna performance.

For mounting instructions, visit:
https://www.tallysman.com/downloads/Helical_Mounting_Instruction.pdf



Applications

- Autonomous unmanned aerial vehicles (UAVs)
- Precision GNSS positioning
- Precision land survey positioning
- Mission-critical GNSS timing
- Network timing and synchronization
- Sea and land container tracking
- Fleet management and asset tracking
- Marine and avionics systems
- Law enforcement and public safety

Features

- Very low noise preamp (1.8 dB typ.)
- Axial ratio (≤ 0.5 dB at zenith)
- LNA gain (28 dB typ. | 35 dB typ.)
- Low current (15 mA typ. | 21 mA typ.)
- ESD circuit protection (15 kV)
- Invariant performance from 2.2 to 16 VDC
- REACH, and RoHS compliant

Benefits

- Extremely light (8 g)
- Ideal for RTK and PPP surveying systems
- Excellent RH circular polarized signal reception
- Great multipath rejection
- Increased system accuracy
- Excellent signal-to-noise ratio
- Industrial temperature range

About Tallysman: With global headquarters and manufacturing in Ottawa, Canada, Tallysman is a leading manufacturer of high-precision antennas and components for Global Navigation Satellite System (GNSS) applications. Tallysman's mission is to support the needs of a new generation of positioning systems by delivering unprecedented antenna precision at competitive prices. Learn more at www.tallysman.com

Revision: 1.0

Contact us:
info@tallysman.com
T: +1 613 591-3131

HC976E Embedded Triple-Band Helical Antenna + L-Band

Frequency Coverage:

GNSS/QZSS-L1/L2, QZSS-L6, GLONASS-G1/G2, Galileo-E1/E6, BeiDou-B1/B3
+ L-Band correction services

Antenna

Technology Triple-frequency, RHCP quadrifilar helix

		Gain	Axial Ratio
		dBic typ. at Zenith	dB at Zenith
GNSS			
GPS / QZSS	L1	2.5	≤ 0.5
	L2	1.4	≤ 0.5
	L5	-	-
GLONASS	G1	1.5	≤ 0.5
	G2	2.6	≤ 0.5
	G3	-	-
Galileo	E1	2.5	≤ 0.5
	E5a	-	-
	E5b	-	-
	E6	1.6	≤ 0.5
BeiDou	B1	2.5	≤ 0.5
	B2	-	-
	B2a	-	-
	B3	2.3	≤ 0.5
IRNSS / NavIC	L5	-	-
QZSS	L6	1.6	≤ 0.5
L-band correction services		1.5	≤ 0.5
Satellite Communications			
Iridium		-	-
Globalstar		-	-
Phase Centre			
Phase Centre Variation (PCV)		-	-
Phase Centre Offset (PCO)		-	-

Mechanicals

Mechanical Size	38.7 mm (dia.) x 49.7 mm (h.)
Weight	8 g
Available Connectors	MCX (female)
Radome / Enclosure	-
Mount	Helical mounting ring P/N 23-0220-0

Environmental

Operating Temperature	-40 °C to +85 °C
Storage Temperature	-50 °C to +95 °C
Random Vibration	-
Shock and Drop	-
Salt Fog	-
IP Rating (housing)	n/a
Compliance	IPC-A-610, FCC, RED / CE Mark, RoHS, REACH

Warranty:

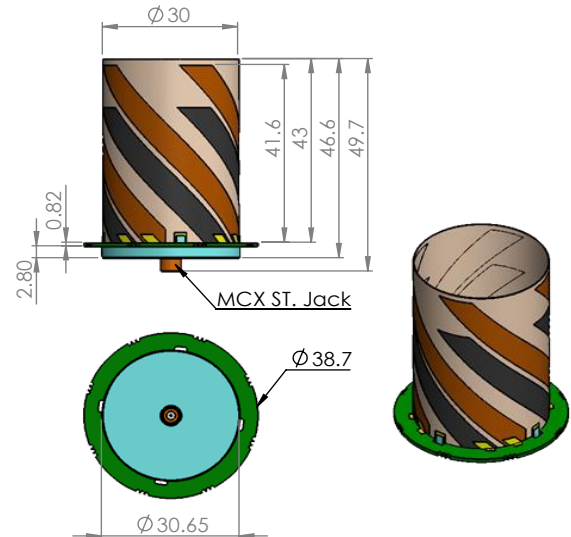
Parts and Labour	1-year standard warranty
------------------	--------------------------

Low Noise Amplifier (LNA) - Measured at 3.0 VDC and 25°C

Frequency Bandwidth	Out-of-Band Rejection
Lower Band	1217 - 1300 MHz > 60 dB @ < 1000 MHz > 33 dB @ < 1100 MHz > 30 dB @ > 1350 MHz
L-band corrections services	1539 - 1559 MHz
Upper Band	1559 - 1606 MHz > 32 dB @ < 1500 MHz > 30 dB @ > 1700 MHz

Architecture	Pre-filter → LNA
Gain	28 dB typ. 35 dB typ.
Noise Figure	1.8 dB typ.
VSWR	< 1.5:1 typ. 1.8:1 max.
Supply Voltage Range	2.2 to 16 VDC
Supply Current	15 mA typ. (28 dB) 21 mA typ. (35 dB)
ESD Circuit Protection	15 kV air discharge
P 1dB Output	12 dBm @ L1
Group Delay Variation	5 ns @ L1 5 ns @ L2

Installation Instructions



Ordering Information

Part Number **33-HC976E-GG**

where GG = gain (28 or 35 dB)

Please refer to our **Ordering Guide** to review available radomes and connectors at:
<https://www.tallysman.com/resource/tallysman-ordering-guide/>