



GrAnt-3L

GNSS Antenna



Key Features

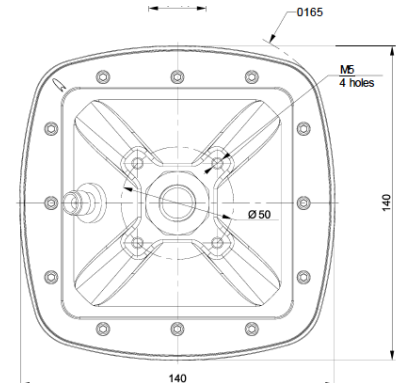
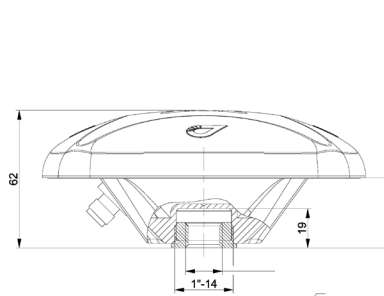
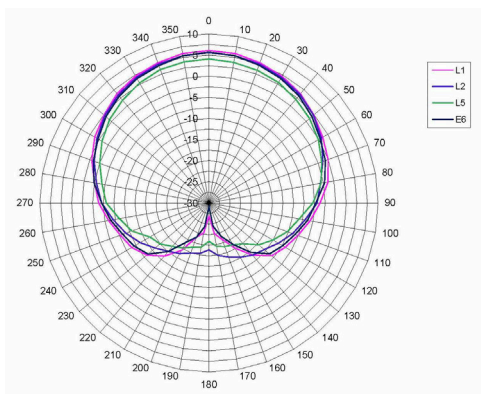
- All GNSS Constellations
- Weatherproof Housing
- Extended Operating Temperature
- Stable Phase Center
- Tracking To Horizon
- Aluminum Base

The GrAnt-3L is wide-band antenna with full GNSS spectrum compatibility to track GPS, GLONASS, Galileo, BeiDou, QZSS, WAAS, EGNOS, MSAS, GAGAN and L-Band signals. The GrAnt-3L features a stable phase center with enhanced signal reception and is ideal for high precision positioning using L-Band corrections. With a durable IP68 housing, the GrAnt-3L is suitable for a wide variety of applications.

GrAnt-3L Specifications



GNSS	Constellations	GPS GLONASS GALILEO BEIDOU QZSS SBAS IRNSS L-Band	L1/L2/L5 L1/L2/L3 E1/E5a/E5b/E6 B1/B1C/B2/B2A/B2B/B3 L1/L2/L5/L6 L1/L5 L5
	Frequency	1525 - 1614 MHz 1164 - 1300 MHz	
Electrical	Antenna Gain	1525 - 1540 MHz, 4.0 dB typical 1551 - 1614 MHz, 5.0 dB typical 1164 - 1300 MHz, 4.0 typical	
	Axial Ratio Output Impedance VSWR max LNA gain Noise Figure	3.0 dB max. 50 Ohm 2.0:1 32±2 dB; 40±2 dB (optional) 1.7 dB typical	
Connector	Antenna Cable Mounting	TNC; N type (optional) 5/8 x 11 inch, or 4 holes M5	
Power	Input Voltage Power Consumption Current	+3.0 to +15 VDC 0.68 W, 0.78 W (40 dB LNA gain) 45 mA @ 5.0V typical, 52 mA (40 dB gain)	
Physical & Environmental	Operating Temperature Storage Temperature Humidity Ingress Protection Shock Vibration Dimensions Weight Material	-45°C to +85°C -50°C to +85°C 100% non condensing IP68 MIL-STD-810H Method 516.8 Procedure I MIL-STD-810H Method 514.8 Procedure I 140 x 140 x 62 mm 515 g Radome: ABS, Base: Aluminum	



GNSS performance is dependent on signal quality, satellite geometry, ionospheric and tropospheric conditions, baseline length, multipath effects and RF interference. Specifications may be changed without notice.