

SA1100 GNSS Antenna

GNSS Antenna
for Reference Station



SA1100 TECHNICAL FEATURES

MINI CHOKE RING ANTENNA

SA1100 is a Mini Choke Ring Antenna capable of tracking all satellite constellations, GPS, GLONASS, GALILEO, BEIDOU, QZSS, IRNSS, SBAS as well as L-Band correction service, and is multi-frequency. This antenna has a high anti-interference function, making it perfect for operations in harsh environments. In addition, SA1100 have high gain even with low elevation signals tracking.

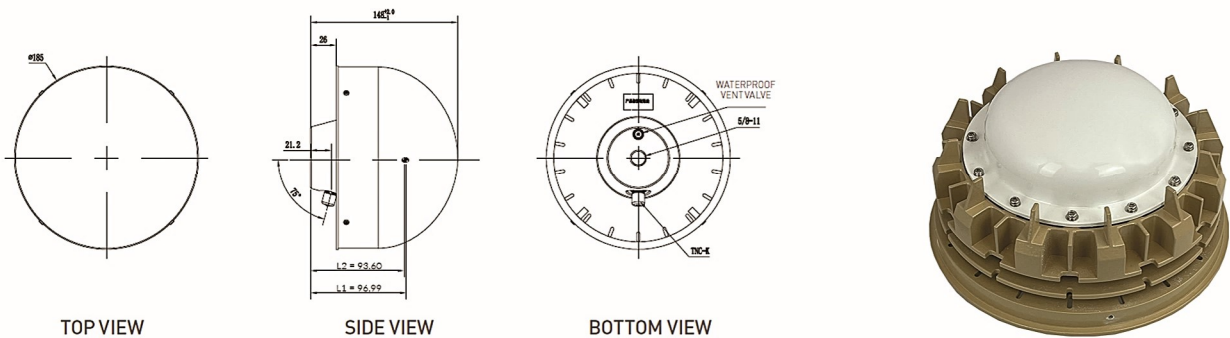
COMPACT AND RUGGED

The SA1100 is a compact and lightweight antenna designed to protect the interior from dust and water (IP67). This antenna has excellent performance in a small size, with a diameter of only 185 mm and a low weight of 1.9 kg. This allows easy installation compared to standard Choke Ring antennas, which are larger and heavier.

HIGH PHASE CENTER STABILITY

The SA1100 antenna adopts a unique ring structure that offers outstanding multipath suppression performance for satellite signal tracking. The stability of this antenna reaches submillimeter values, ideal for monitoring and permanent GNSS networks.

PERFORMANCE		MECHANICAL	
Satellite Signal Tracked	GPS: L1, L2, L5	Dimensions	Ø185mm x 148mm
	GLONASS: L1, L2, L3	Connector	TNC female
	BEIDOU: B1, B2, B3	Mounting	5/8" x 11 screws
	GALILEO: E1, E5a, AltBOC, E5b, E6	Weight	1.9kg
	QZSS: L1, L2, L5, L6		
	IRNSS: L5		
	SBAS: L1, L5		
Type	Mini Choke Ring Antenna	ENVIRONMENTAL	
Phase Center Stability	± 1mm	Operating Temperature	-40°C to 85°C (-40°F to 185°F)
Nominal Impedance	50Ω	Storage Temperature	-55°C to 85°C (-67°F to 185°F)
Polarization	RHCP	Humidity	95% non-condensing
Axial Ratio	≤3dB	Waterproof/Dustproof	IP67
Peak Gain	6.5dBi	CALIBRATION	
LNA Gain	50±2dB	NGS	Yes
Noise Figure	≤2dB	IGS	Yes
Output VSWR	≤2.0		
Operation Voltage	+3.3V to +12V DC		
Operation Current	≤60mA		
Differential Propagation Delay	≤5ns		



Illustrations, descriptions and technical specifications are not binding and may change

STONEX AUTHORIZED DEALER

STONEX®

Viale dell'Industria 53 - 20037 Paderno Dugnano (MI) - Italy
 Phone +39 02 78619201
 www.stonex.it | info@stonex.it

UNI EN ISO 9001:2015 - SA1100 GNSS ANTENNA - MAY 2023 - VER01 - REV-01