

HC885EXF

HC885EXF Dual-Band Helical Antenna + L-Band

Frequency Coverage: GPS/QZSS-L1/L5, GLONASS-G1/G3, Galileo-E1/E5a/E5b, BeiDou-B1/B2a/B2, NavIC-L5 + L-Band correction services

Overview

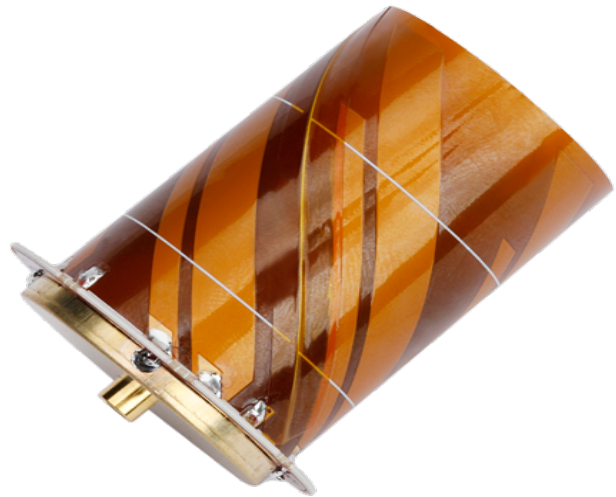
The patented HC885EXF helical antenna is designed for precision positioning, covering the GPS/QZSS-L1/L5, GLONASS-G1/G3, Galileo-E1/E5a/E5b, BeiDou-B1/B2/B2a, NavIC-L5 and L-Band Correction frequency bands, including the satellite-based augmentation system (SBAS) available in the region of operation [WAAS (North America), EGNOS (Europe), MSAS (Japan), or GAGAN (India)].

Tallysman's eXtended Filter (XF) antenna technology has been designed to mitigate out-of-band signals and prevent GNSS antenna saturation. The radio frequency spectrum has become more congested as new LTE bands are activated and their signals or harmonic frequencies [e.g. 800MHz x 2 = 1600MHz (GLONASS-G1)] can affect GNSS antennas and receivers. In North America, planned Ligado signals at 1525 - 1536 MHz can especially impact GNSS antennas that support space-based L-band correction services (1539 - 1559 MHz). New LTE signals in Europe [Band 32 (1452 - 1496 MHz)] and Japan [Bands 11 and 21 (1476 - 1511 MHz)] have also been observed to interfere with GNSS signals. In addition, Inmarsat satellite communication (uplink: 1626.5 - 1660.5 MHz) can also affect GNSS signals. Tallysman's custom XF filtering mitigates all existing signals and new Ligado and LTE signals, enabling the antennas and attached GNSS receivers to perform optimally.

Weighing only 8 g, the light and compact HC885EXF features a precision-tuned helix element that provides excellent axial ratios and operates without the requirement of a ground plane, making it ideal for a wide variety of applications, including unmanned aerial vehicles (UAVs).

Tallysman provides an optional embedded helical mounting ring, which traps the outer edge of the antenna circuit board to the host circuit board or to any flat surface. Tallysman also provides support for installation and integration of embedded helical antennas to enable the integrator to achieve a successful installation and obtain optimum antenna performance.

For mounting instructions, visit:
https://www.tallysman.com/downloads/Helical_Mounting_Instruction.pdf Replace



Applications

- Autonomous unmanned aerial vehicles (UAVs)
- Precision GNSS positioning
- Precision land survey positioning
- Mission-critical GNSS timing
- Network timing and synchronization
- Sea and land container tracking
- Fleet management and asset tracking
- Marine and avionics systems
- Law enforcement and public safety
- Dual frequency RTK, PPP

Features

- Very low noise preamp (2.5 dB typ.)
- Axial ratio (\leq 0.5 dB at zenith)
- LNA gain (28 dB typ. | 35 dB typ.)
- Low current (25 mA typ. | 31 mA typ.)
- ESD circuit protection (15 kV)
- Invariant performance from 2.2 to 16 VDC
- IP67, REACH, and RoHS compliant

Benefits

- Extremely light (8 g)
- Ideal for RTK and PPP surveying systems
- Excellent RH circular polarized signal reception
- Great multipath rejection
- Increased system accuracy
- Excellent signal-to-noise ratio
- Industrial temperature range
- Rugged design, ideal for harsh environments
- Extended RF Filtering

About Tallysman: With global headquarters and manufacturing in Ottawa, Canada, Tallysman is a leading manufacturer of high-precision antennas and components for Global Navigation Satellite System (GNSS) applications. Tallysman's mission is to support the needs of a new generation of positioning systems by delivering unprecedented antenna precision at competitive prices. Learn more at www.tallysman.com

Contact us:
info@tallysman.com
T: +1 613 591-3131

HC885EXF Dual-Band Helical Antenna + L-Band

Frequency Coverage: GPS/QZSS-L1/L5, GLONASS-G1/G3, Galileo-E1/E5a/E5b, BeiDou-B1/B2a/B2, NavIC-L5 + L-Band correction services

| Antenna | | | |
|---------------------------------------|-----|--|--------------|
| Technology | | Dual-frequency, RHCP quadrifilar helix | |
| | | Gain | Axial Ratio |
| | | dBic typ. at Zenith | dB at Zenith |
| GNSS | | | |
| GPS / QZSS | L1 | 2.5 | ≤ 0.5 |
| | L2 | - | - |
| | L5 | 2.2 | ≤ 0.5 |
| GLONASS | G1 | 1.5 | ≤ 0.5 |
| | G2 | - | - |
| | G3 | 2.4 | ≤ 0.5 |
| Galileo | E1 | 2.5 | ≤ 0.5 |
| | E5A | 2.3 | ≤ 0.5 |
| | E5B | 2.3 | ≤ 0.5 |
| | E6 | - | - |
| BeiDou | B1 | 2.5 | ≤ 0.5 |
| | B2 | 2.2 | ≤ 0.5 |
| | B2a | 2.2 | ≤ 0.5 |
| | B3 | - | - |
| IRNSS / NavIC | L5 | 2.2 | ≤ 0.5 |
| QZSS | L6 | - | - |
| L-Band Services (1525 MHz - 1559 MHz) | | 1.5 | ≤ 0.5 |
| Satellite Communications | | | |
| Iridium | | - | - |
| Globalstar | | - | - |
| Other | | | |
| Axial Ratio at 10° | | - | Efficiency |
| PC Variation | | ± 3.0 mm (all freq.) | PCO |

| Mechanicals | |
|-----------------------------|-------------------------------------|
| Mechanical Size | 38.7 mm (dia.) x 49.7 mm (h.) |
| Weight | 8 g |
| Radome | - |
| Mount | Helical mounting ring P/N 23-0220-0 |
| Available Connectors | MCX (female) |

| Environmental | |
|------------------------------|--|
| Operating Temperature | -40 °C to +85 °C |
| Storage Temperature | -50 °C to +95 °C |
| Vibration | MIL-STD-810E - Test method 5143.5 |
| Shock | MIL-STD-810E - Test method 5143.5 |
| Salt Fog | - |
| IP Rating | n/a |
| Compliance | IPC-A-610, FCC, RED / CE Mark, RoHS, REACH |

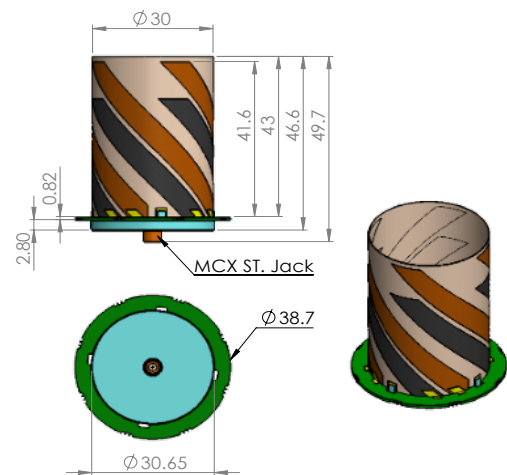
| Warranty: | |
|-------------------------|--------------------------|
| Parts and Labour | 1-year standard warranty |

Low Noise Amplifier (LNA) - Measured at 3V and 25°C

| Frequency Bandwidth | | Out of Band Rejection |
|------------------------------|-----------------|--|
| Lower Band | 1164-1217 MHz | > 65 dB @ < 1000 MHz > 74 dB @ < 1100 MHz > 76 dB @ < 1325 MHz > 72 dB @ < 1400 MHz |
| L-Band - Correction Services | 1540 - 1559 MHz | |
| Upper Band | 1559 - 1606 MHz | > 62 dB @ > 1400 MHz > 33 dB @ < 1526 MHz > 06 dB @ < 1536 MHz > 56 dB @ > 1626 MHz > 64 dB @ > 1700 MHz |

| | |
|-------------------------------|---|
| Architecture | Pre-filter → LNA |
| Gain | 28 dB typ. 35 dB typ. |
| Noise Figure | 2.5 dB typ. |
| VSWR | < 1.5:1 typ. 1.8:1 max. |
| Supply Voltage Range | 2.2 to 16 VDC |
| Supply Current | 25 mA typ. (28 dB) 31 mA typ. (35 dB) |
| ESD Circuit Protection | 15 kV air discharge |
| P 1dB Output | 13.3 dBm @ L1 13.1 dBm @ L5 |
| Group Delay | 20 ns @ L1 12 ns @ L5 |

Mechanical Diagram



Ordering Information

| | |
|--------------------|-------------------------------|
| Part Number | 33-HC885EXF-xx |
| | where xx = gain (28 or 35 dB) |

Please refer to our **Ordering Guide** to review available radomes and connectors at: <https://www.tallysman.com/resource/tallysman-ordering-guide/>