



3B-X.XX-X.XXV-XX-X ANTENNA FAMILY

3 Inch Blade Antenna for Video / Data Link

The 3B-X.XX-X.XXV-XX.X is a highly customizable 3-inch tall blade antenna for video and data link applications. The rugged blade antenna enclosure is optimized for ground and flight environments.

The antenna includes a single connector for signal input and output. The antenna can cover various frequency bands in the UHF, L-Band and S-Band ranges. See the options table for details or contact us for more information about customization options.



BENEFITS

- Customizable to your frequency band requirements
- Common mounting footprint for multiple frequency options

FEATURES

- UHF/L/S-Band coverage options
- Vertically polarized
- Omnidirectional-in-azimuth coverage
- High power handling

OPTIONS

COLOR

- Gloss White
- Lusterless Gray
- Camo Green
- Lusterless Black
- Desert Tan

CONNECTOR

- S: SMA
- N: Type N
- T: TNC

ELECTRICAL

| | |
|------------------|---|
| Frequency Range: | |
| UHF/L/S- Band | Tailorable between 690 MHz and 2700 MHz |
| VSWR | < 3.0:1 Typical |
| Impedance | 50 ohms |

MECHANICAL & ENVIRONMENTAL

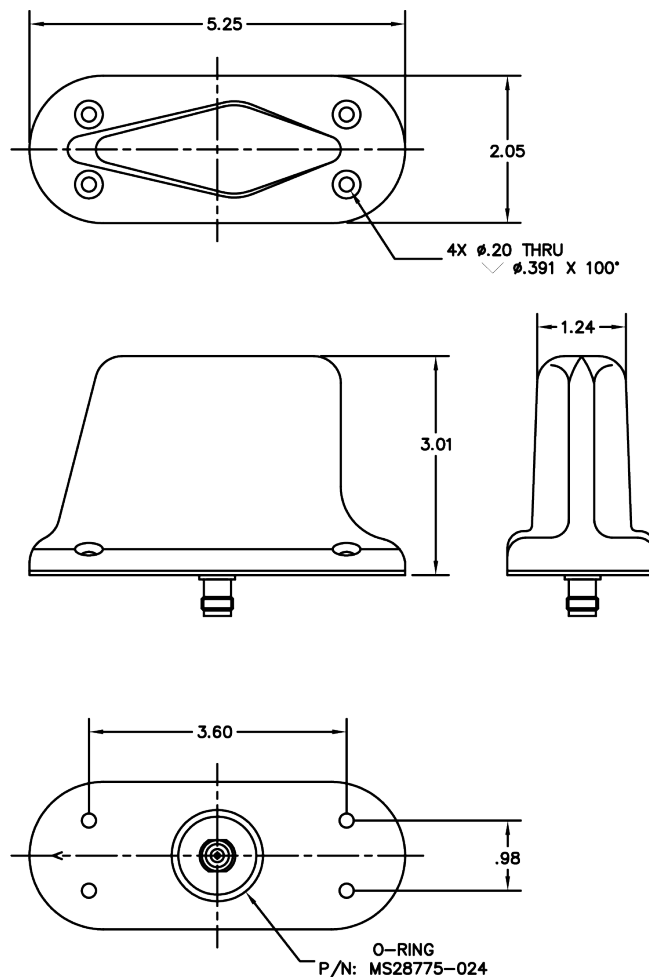
Designed to:

| | |
|-------------|---------------------------------|
| Weight | 6.5 oz (TNC) 7.1 oz (Type N) |
| Temperature | -55°C TO +85°C |
| Altitude | 70,000 ft |
| Vibration | > 10 Grms |

LIMITING & FILTERING

| | |
|----------------|-------------------------------|
| Power Handling | 250 Watt CW for TNC option |
|----------------|-------------------------------|

PRODUCT SHEET



PART NUMBER DECODER

3B-X.XX-X.XXV-XX-X

Start Frequency
X.XX = Frequency in GHz

Stop Frequency
X.XX = Frequency in GHz

Connector
S = SMA
N = Type N
T = TNC

Color (PER FED-STD-595B)
1 = Gloss White #17925
2 = Lusterless Gray #36320
3 = Camo Green #34094
4 = Lusterless Black #37038
5 = Desert Tan #33446

CONTACT ANTCOM

Phone: +1-310-782-1076
Fax: +1-310-782-1086
Email: sales.pi.antcom@antcom.com
Web: antcom.com

